

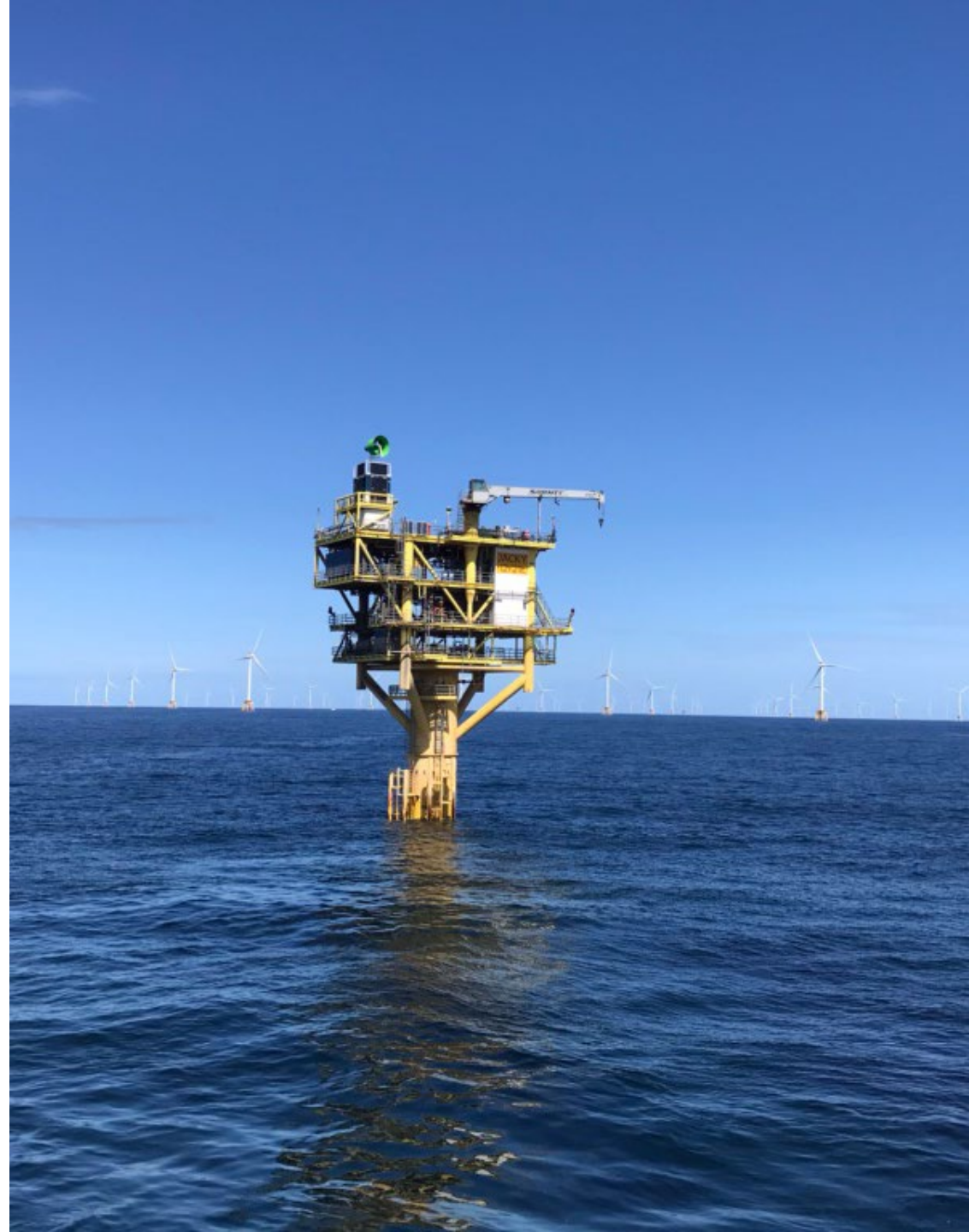
wood.

The Power of Possible

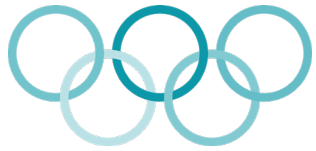
**Late and Ultra-Late Life Asset Management:
our journey with Ithaca Energy**

Tom Gilchrist, Senior VP – Operates Assets, Wood

August 2020



It's 2008...



Usain Bolt sets world records at the Olympics in Beijing



Barack Obama becomes the 44th President of the USA



A global financial crisis sweeps the world



Ithaca Energy, a small independent oil company, looks to develop the Jacky field via the Beatrice complex



Offshore regulations change, to allow for the outsourced duty holder model



A new partnership forms between Ithaca Energy & Wood

Beatrice Alpha



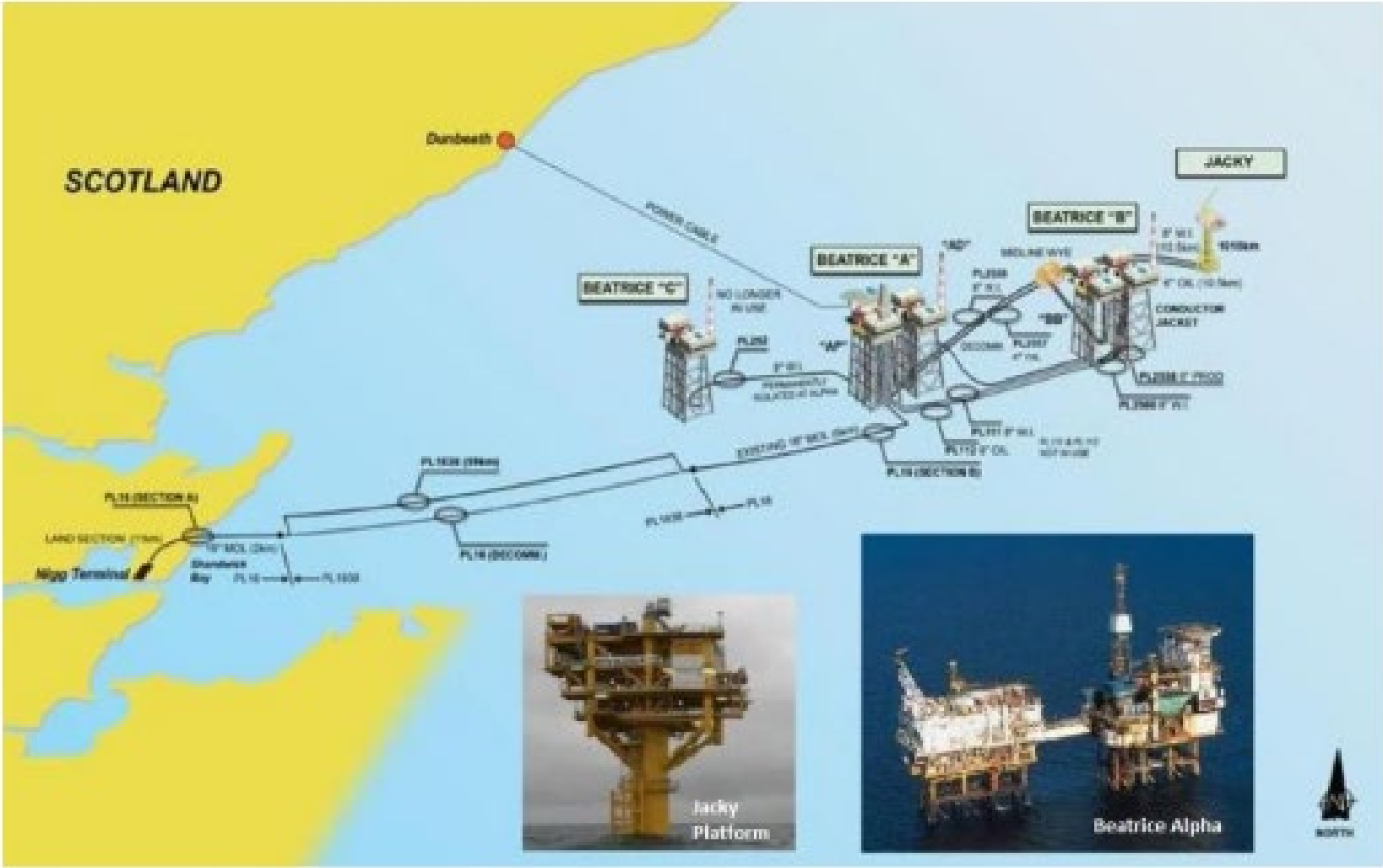
Beatrice Unmanned Installations & Wind Turbines

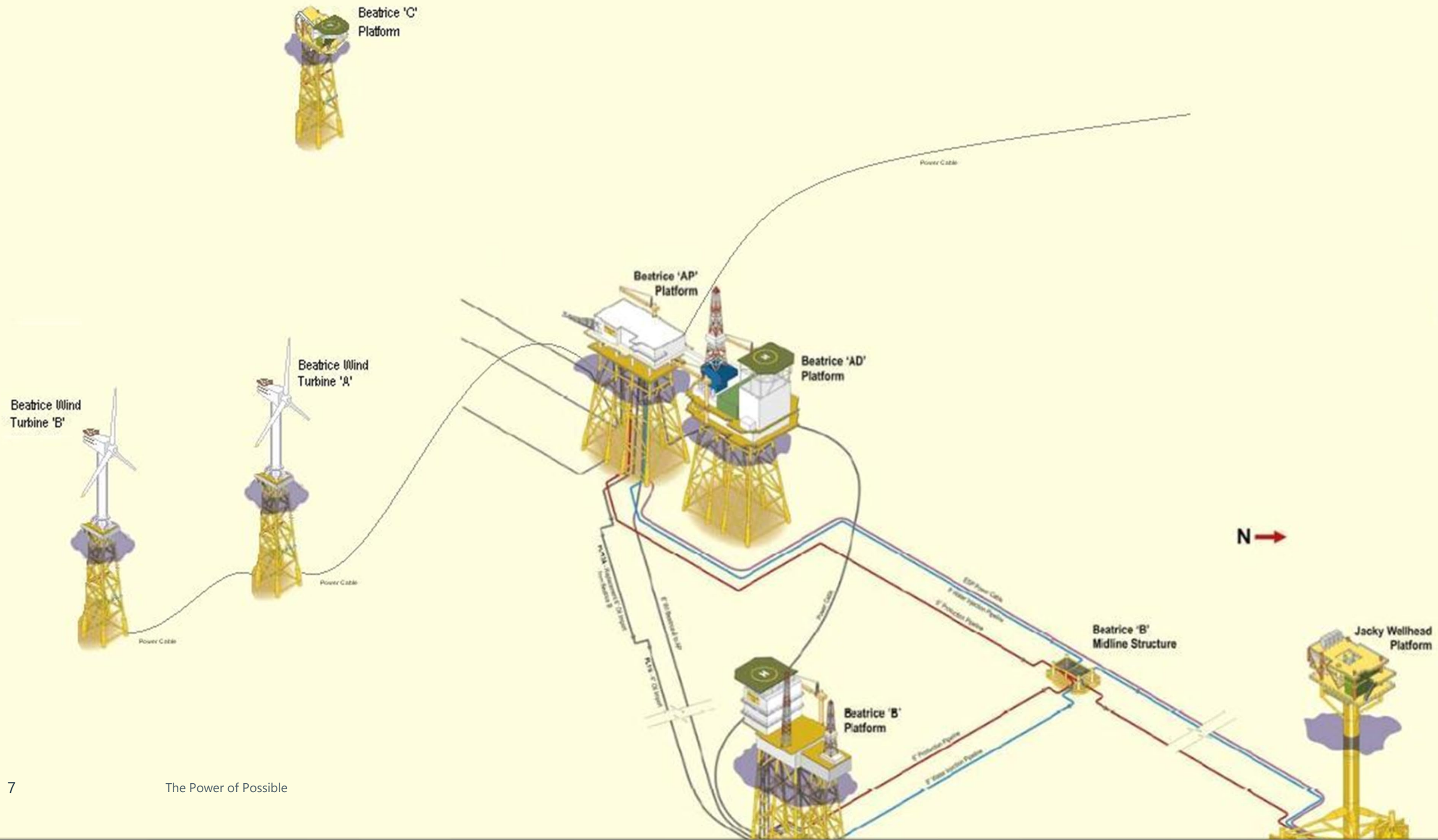


Nigg Oil Terminal

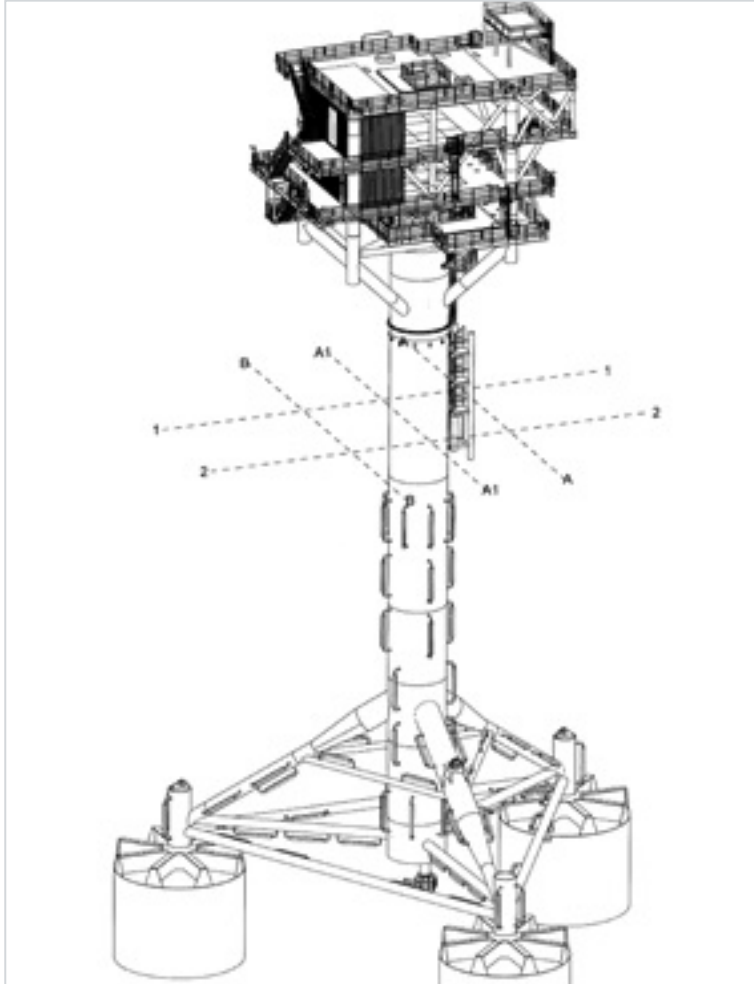


Beatrice & Jacky Field Layout





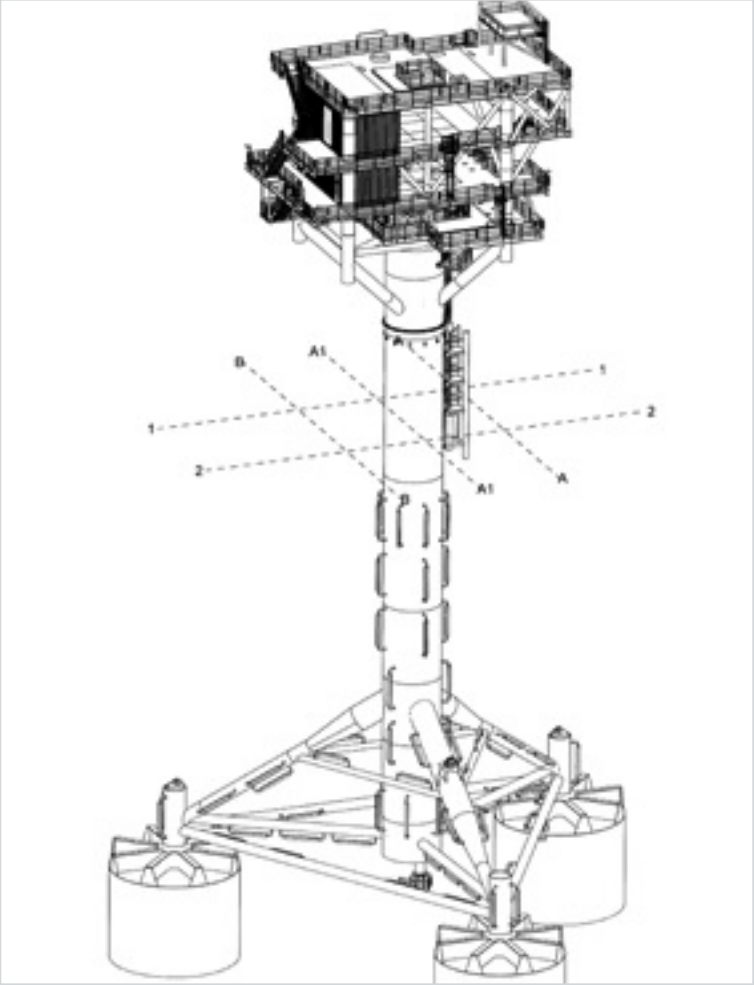
Jacky – the NUI solution



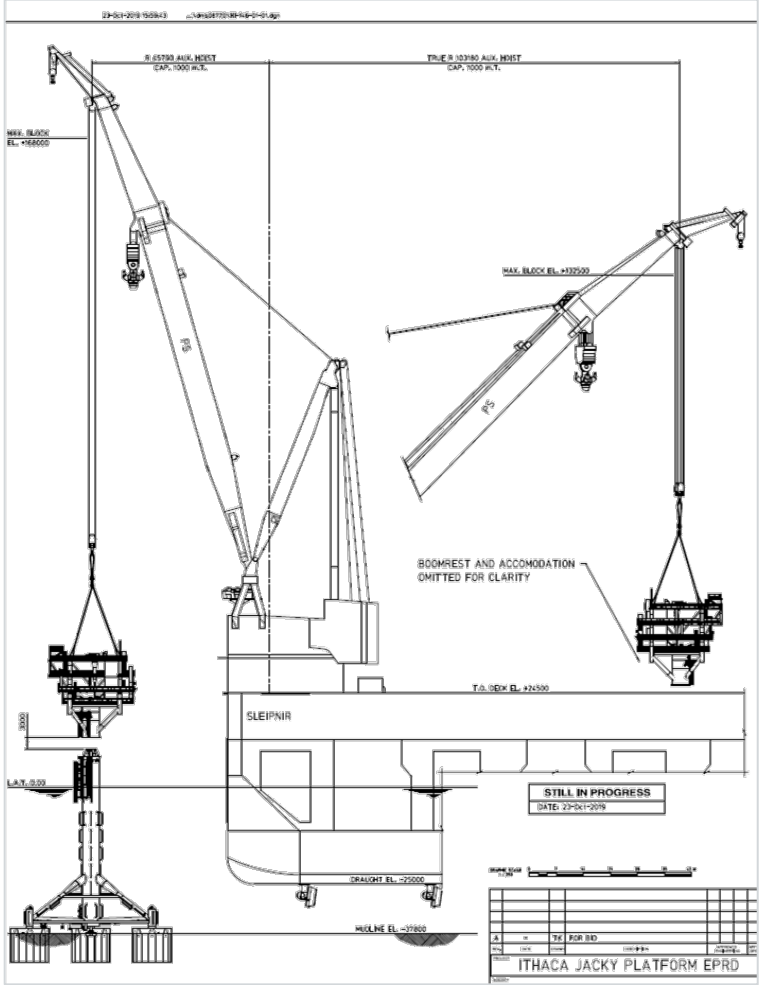
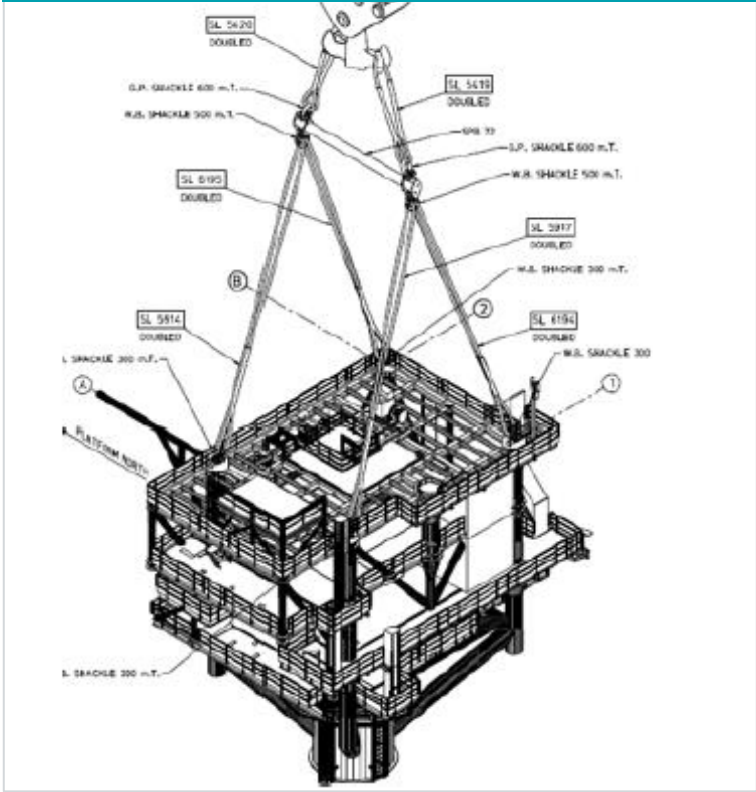
Installing Jacky



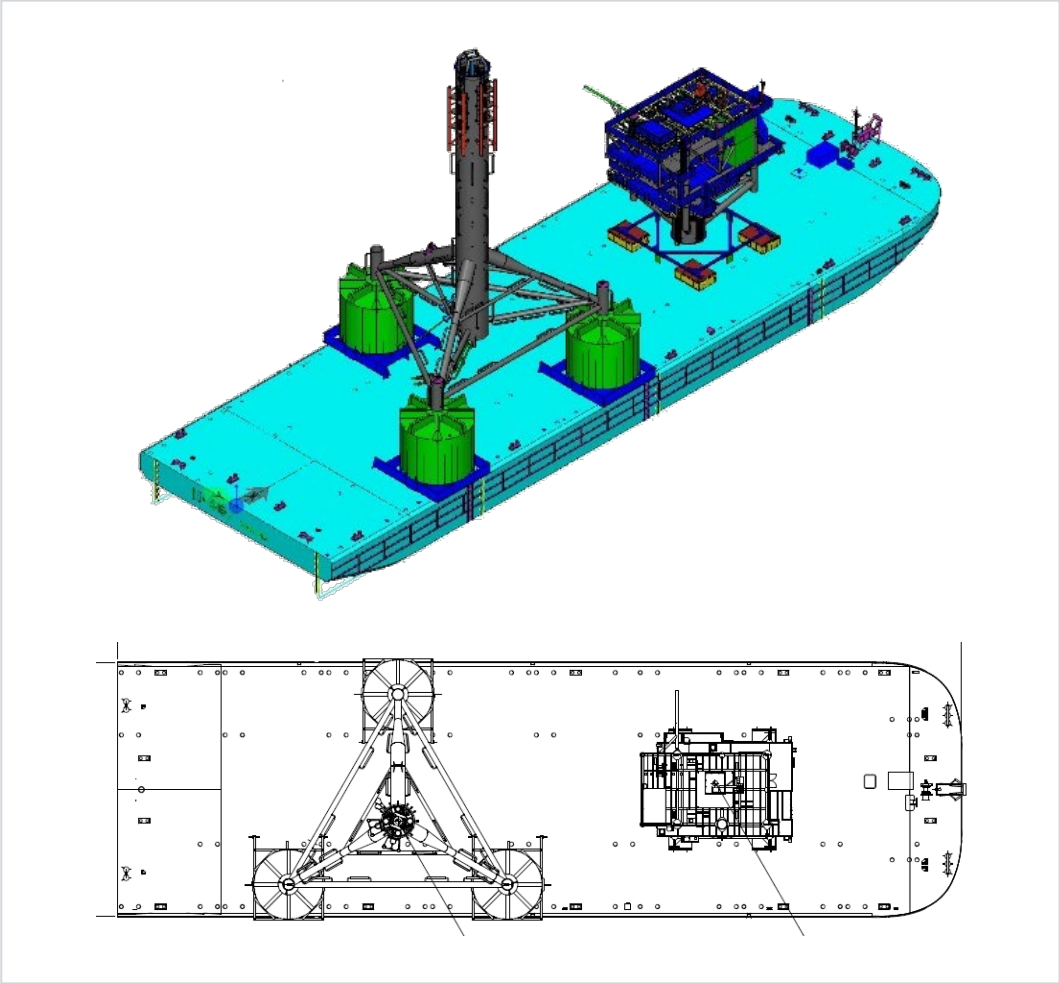
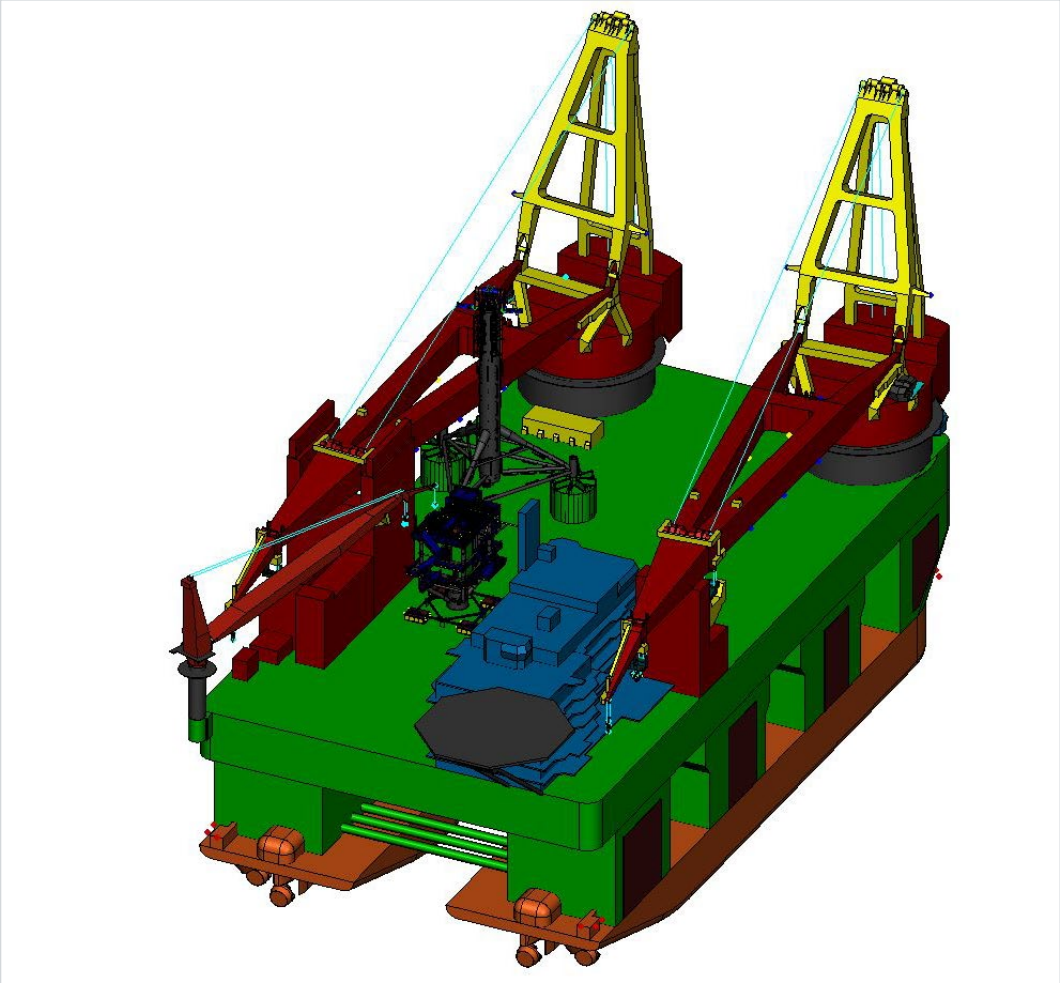
Topside Lift



Reverse Installation Single crane lift and transfer to SSCV Sleipnir Deck



Project – Transport & Offloading



EnergyPod | Enabling Sustainable Decommissioning



Ithaca Energy & Wood: A Lifelong Partnership

The fantastic growth story for Ithaca came from this project and enabled them to develop the Athena FPSO, the Don and Stella fields and more recently acquire the Chevron CNSL assets

The partnership also allowed Wood to develop extensive experience on Late Life Asset Management

Overall this is a sustainability story and a forerunner to many others



wood.